

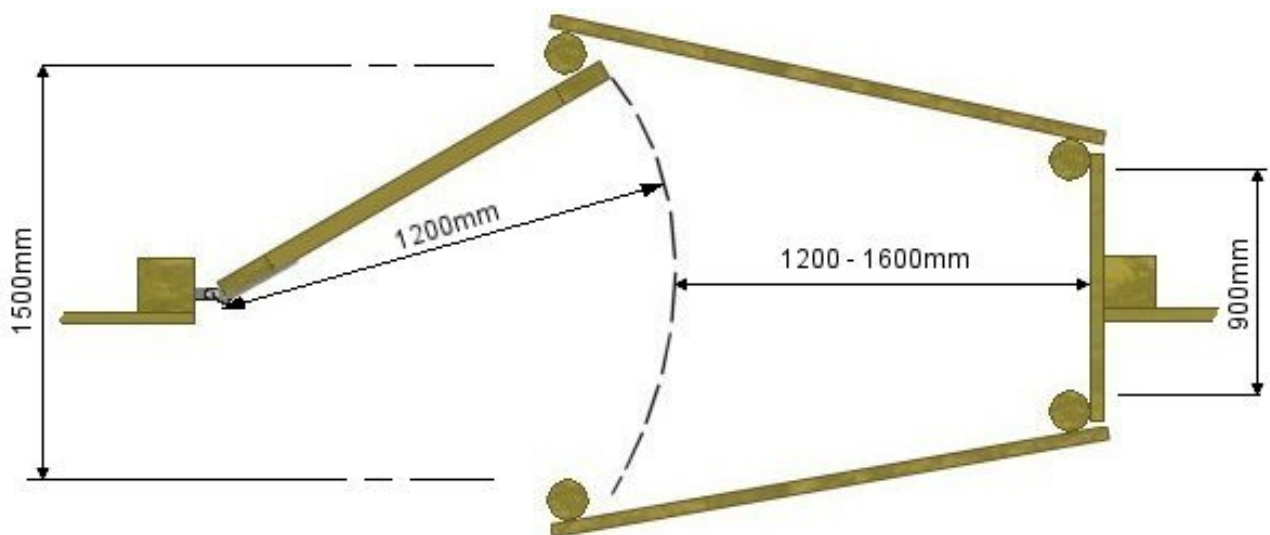
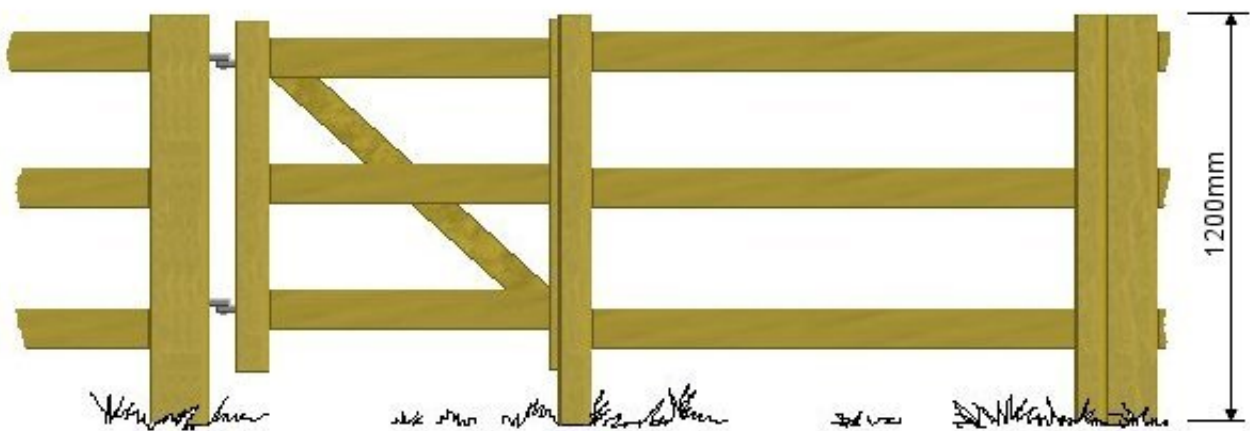
# Wooden Kissing Gates



## Example of Wood Kissing Gate

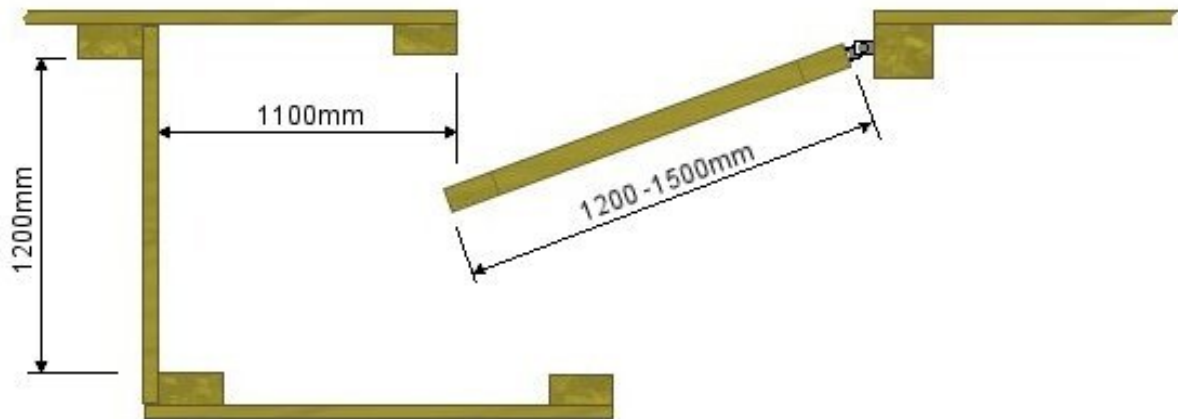
Specifications:

- Gatepost should be 125mm x 125mm x 1950mm (750mm into the ground and concreted).
- Other posts 100mm square or round x 1850mm (600mm into ground).
- Wire netting or additional rails can be added where required.
- A latch or spring could be fitted if necessary.



Note: Kissing gates should normally close away from the boundary used predominantly by livestock.

### Alternative plan for kissing gate flush with boundary on fence on one side



### Alternative plan for pedestrian only kissing gates

(Neither of the kissing gates plans shown below are to British Standard specifications)

The top design allows passage for person with rucksack, the lower design is the minimum recommended dimensions

